

Precision Programmable Resistance Box RTD Simulator

FEATURES

- Controllable by PC with GB-IB and RS232C interfaces
- Compact design
- Utilizing ultra precision Bulk Metal® Foil resistor
- Quick response capable of setting desired resistance in as fast as 100 ms
- Accuracy $\leq 0.01\% + 2 \text{ m}\Omega$ in $6\frac{1}{2}$ digit readings
- Temperature coefficient of resistance $\leq 5 \text{ ppm}/^\circ\text{C}$ ($>100\Omega$)
- Double electrical shielding protection against noise
- Interface specification open to users

MASS

Approx. 5 kg (11 lbs)

DESCRIPTION

The ADR Digital box is easy to set to any desired resistance value using a PC. The ADR Digital box realizes automated inspection to minimize inspection time while avoiding human error. The ADR Digital is the most efficient product for simulating input resistance values, and panel keys allow local-mode resistance value input. The JIS C1604/IEC60751 Pt thermometer table is stored in memory to facilitate entry of specific temperatures for specific resistance values in the Pt standard table.

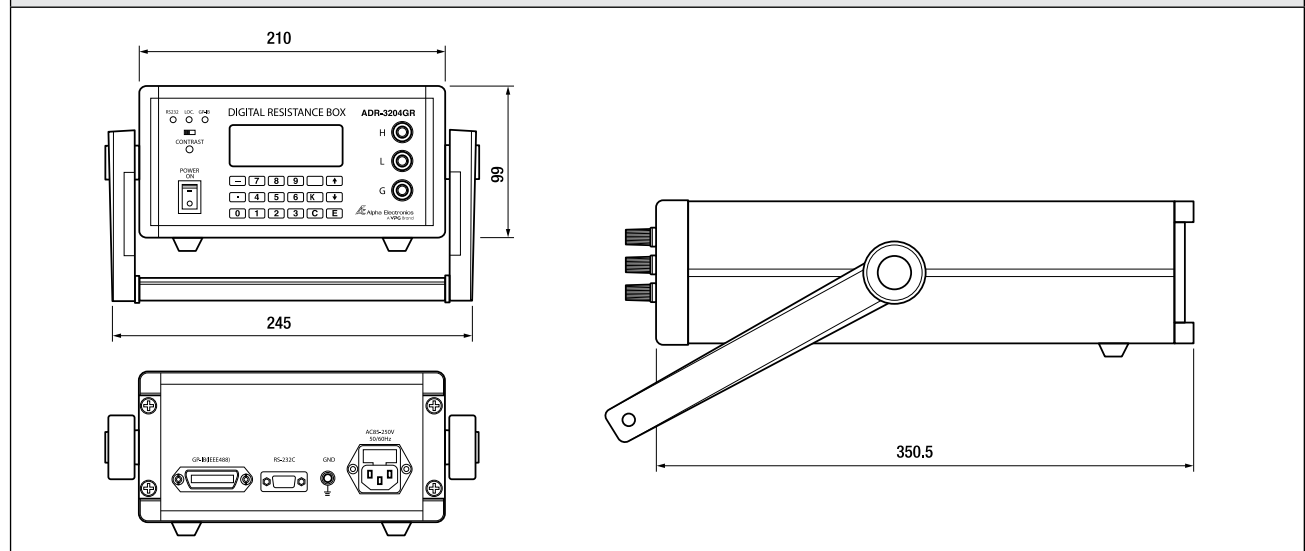


Utilizing ultra precision Bulk Metal® Foil technology with very low Resistance Temperature Characteristics and excellent long-term stability assures high accuracy and high stability.

AVAILABLE PT STD OF TEMP INPUT

| | | | | | |
|----------|-------|-------|-------|-------|--------|
| IEC60751 | Pt100 | Pt200 | Pt300 | Pt500 | Pt1000 |
|----------|-------|-------|-------|-------|--------|

CONFIGURATION in millimeters



SPECIFICATIONS

| Model | Min. Resistance Value | Max. Resistance Value | Resolution (Ω) | Accuracy | Max. Wattage |
|------------|-----------------------|-----------------------|-------------------------|-----------------------------------|--------------|
| ADR-3204GR | 5.000 Ω | 1.999999 k Ω | 0.001 | $\pm(0.01\% + 2 \text{ m}\Omega)$ | 0.5W |
| | 2.00 k Ω | 19.99999 k Ω | 0.01 | | |
| | 20.0 k Ω | 199.9999 k Ω | 0.1 | | |