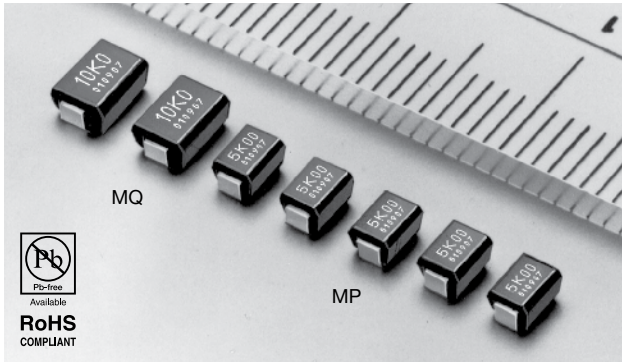


Ultra Precision SMT Resistor (Molded, J-Lead Terminal)



TCR, RESISTANCE RANGE, TOLERANCE, RATED POWER				
Type	TCR (ppm/°C) -55°C to +125°C	Resistance Range (Ω)	Resistance Tolerance (%)*	Rated Power (W) at 125°C
MP	0±10	30 to 100	±0.1	0.1
	0±5	100 to 30k	±0.05	
MQ	0±10	30 to 100	±0.1	0.125
	0±5	100 to 60k	±0.05	

* Please contact us for tighter tolerances.

COMPOSITION OF TYPE NUMBER

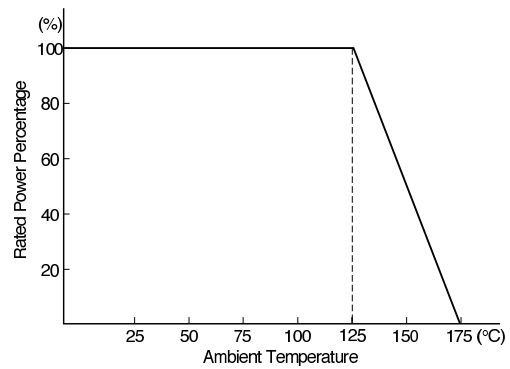
Example:

MQ 10K00 L

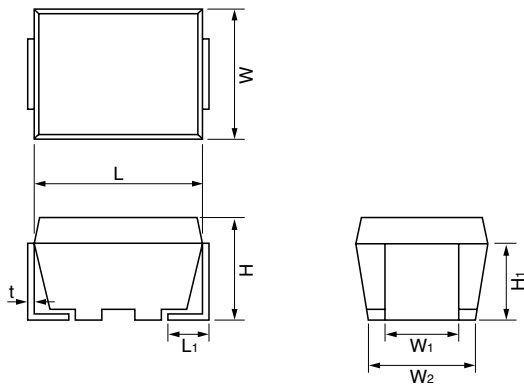
— Tape & Reel Package Required
— Resistance Value
— Type

Resistance value, in ohm, is expressed by a series of five characters, four of which represent significant digits. R or K is a dual-purpose letter that designates both the value range (R for ohmic; K for kilo-ohm) and the location of the decimal point.

POWER DERATING CURVE

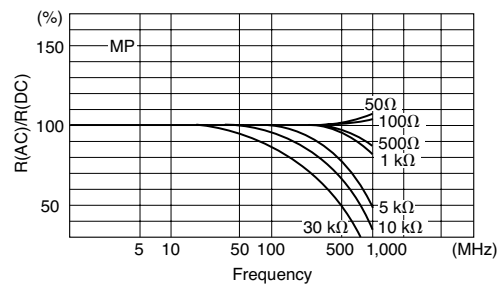


CONFIGURATION (DIMENSIONS IN mm)

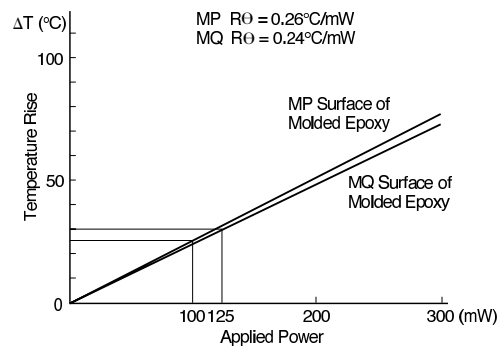


Type	MP	MQ
L	3.2±0.2	4.5±0.2
W	2.5±0.2	3.2±0.2
H	2.0±0.2	
L ₁	0.6±0.2	0.8±0.2
W ₁	1.4±0.3	
W ₂	2.3±0.2	3.0±0.2
H ₁	1.5±0.3	
t	0.15±0.05	

FREQUENCY CHARACTERISTICS



TEMPERATURE OF RESISTOR SURFACE



PERFORMANCE			
Parameters	Test Condition	ALPHA Specification	ALPHA Typical Test Data
Maximum Rated Operating Temperature Working Temperature Range Maximum Working Voltage Maximum Working Current			125°C -65°C to +175°C MP=50V, MQ=100V 350 mA
Thermal Shock Overload	-65°C/30 min. ↔ +175°C/30 min., 5 cycles Rated Voltage x 2.5, 5 sec.	±0.05% ±0.05%	±0.01% ±0.01%
Low Temperature Storage and Operation Substrate Bending Test	-65°C, No Load, 24 hrs. → Rated Voltage, 45 min. Substrate Bent 3 mm, 60 sec.	±0.05% ±0.05%	±0.01% ±0.01%
Dielectric Withstanding Voltage Insulation Resistance Resistance to Soldering Heat Moisture Resistance	Atmospheric: AC 200V, 1 min. DC 100V, 1 min. 260°C, 10 sec. +65°C to -10°C, 90% RH to 98% RH, Rated Voltage, 10 cycles (240 hrs.)	±0.01% over 10,000 MΩ ±0.05% ±0.05%	±0.005% over 10,000 MΩ ±0.01% ±0.03%
Shock Vibration, High Frequency	100G, 6 ms, Sawtooth Wave, X, Y, Z, each 10 shocks 20G, 10 Hz to 2,000 Hz to 10 Hz, 20 min., X, Y, Z, each 2.5 hrs.	±0.02% ±0.02%	±0.01% ±0.01%
Life	125°C, Rated Power, 1.5 hr. – ON, 0.5 hr. – OFF, 2,000 hrs.	±0.05%	±0.03%
Storage Life	15°C to 35°C, 15% RH to 75% RH, No Load, 10,000 hrs.	±0.005%	±0.0025%
High Temperature Exposure	175°C, No Load, 2,000 hrs.	±0.05%	±0.03%

TAPE AND REEL PACKAGE (BASED ON EIA-481-1) (DIMENSIONS IN mm)																	
Tape Dimensions										Reel Dimensions							
Type	A	B	C	D	E	F	G	H	J	A	N	B	C	D	W1	W2	r
MP	2.8 ±0.2	3.9 ±0.2	12.0 ±0.3	5.5 ±0.05	1.75 ±0.1	4.0 ±0.1	2.0 ±0.05	4.0 ±0.1	Dia. 1.5 ±0.1-0	Dia. 178 ±2	Dia. 60 min.	Dia. 13 ±0.5	Dia. 21 ±0.8	2 ±0.5	12.4 +2.0-0	18.4 max.	1.0 ±0.5
MQ	3.6 ±0.2	5.2 ±0.2	12.0 ±0.3	5.5 ±0.05	1.75 ±0.1	8.0 ±0.1	2.0 ±0.05	4.0 ±0.1	Dia. 1.5 ±0.1-0	Reel Capacity MP: 1,200 pieces/reel MQ: 800 pieces/reel							

PRECAUTION IN USING FACE-BONDED CHIP RESISTORS																			
1. Storage Storage conditions or environment may adversely affect solderability of the exterior terminals. Do not store in high temperature and humidity. The recommended storage environment is lower than 40°C, has less than 70% RH humidity and is free from harmful gases such as sulphur and chlorine.		3. Cleaning Use volatile cleaner such as methylalcohol or propyl alcohol.																	
2. Caution in Soldering <ul style="list-style-type: none"> Hand Soldering Hand soldering is applicable as shown at right. Recommended <ul style="list-style-type: none"> Temp. of iron tip: 240°C to 270°C Power of iron: 20W or less Diameter of tip: dia. 3 mm max. Solder Reflow in Furnace Recommended <ul style="list-style-type: none"> Peak temperature: 250+0/-5°C Holding time: 10 sec. max. To cool gradually at room temperature Dipping in Solder (Wave or Still) Recommended <ul style="list-style-type: none"> Temp. of solder: 260°C max Length of dipping: 10 seconds To cool gradually at room temperature Other Corrosion-free flux, such as rosin, is recommended. Do not apply pressure to the molded housing immediately after soldering. 		4. Circuit Board Design The dimensions of solder land must be determined in conformity with the size of resistors and with the soldering method. They are also subject to the mounting machine and the material of the substrate. See example below.																	
		<table border="1"> <thead> <tr> <th>Type</th> <th>A</th> <th>B</th> <th>C</th> <th>D</th> </tr> </thead> <tbody> <tr> <td>MP</td> <td>1.6 to 2.0</td> <td>0.5 to 1.5</td> <td>2.2 to 2.6</td> <td>1.8</td> </tr> <tr> <td>MQ</td> <td></td> <td></td> <td></td> <td>2.5</td> </tr> </tbody> </table> <p style="text-align: right; font-size: small;">Dimensions in mm</p>			Type	A	B	C	D	MP	1.6 to 2.0	0.5 to 1.5	2.2 to 2.6	1.8	MQ				2.5
Type	A	B	C	D															
MP	1.6 to 2.0	0.5 to 1.5	2.2 to 2.6	1.8															
MQ				2.5															
When parts are mounted on a board in high density, solder can possibly attach to the resistors in an excessive amount to affect performance or reliability of the resistors. To prevent this effect, the use of solder resist is recommended to isolate solder lands.																			